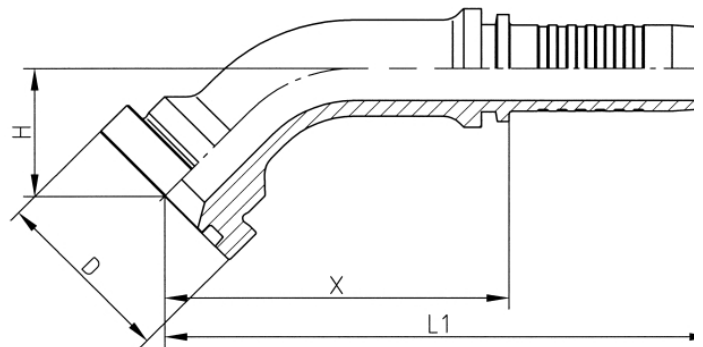
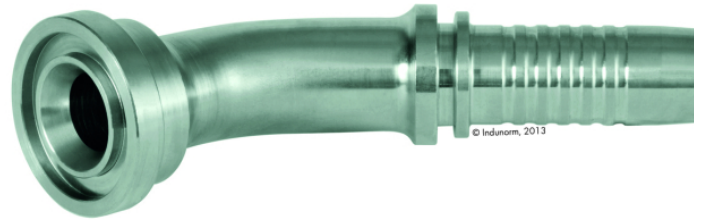


PRESSNIPPEL 45° 3000 SAE

Pakningsoverflate: Flat med O-ring spor

- Pressnippel 45° 3000 PSI = ca. 206 bar
- Pressnippel 45° 6000 PSI = ca. 413 bar



Varetekst	Art. nr.	Innvendig slangediameter i tommer	Flensdiameter i tommer	PK
Pressnippel 45° SAE 3000.3/4 x 3/4	5973 430 212	3/4 in	3/4 in	1
Pressnippel 45° SAE 3000.1 x 3/4	5973 430 216	3/4 in	1 in	1
Pressnippel 45° SAE 3000.1 x 1	5973 430 616	1 in	1 in	1
Pressnippel 45° SAE 3000.1 1/4 x 1	5973 430 620	1 in	1-1/4 in	1
Pressnippel 45° SAE 3000.1 1/4 x 1 1/4	5973 430 020	1-1/4 in	1-1/4 in	1